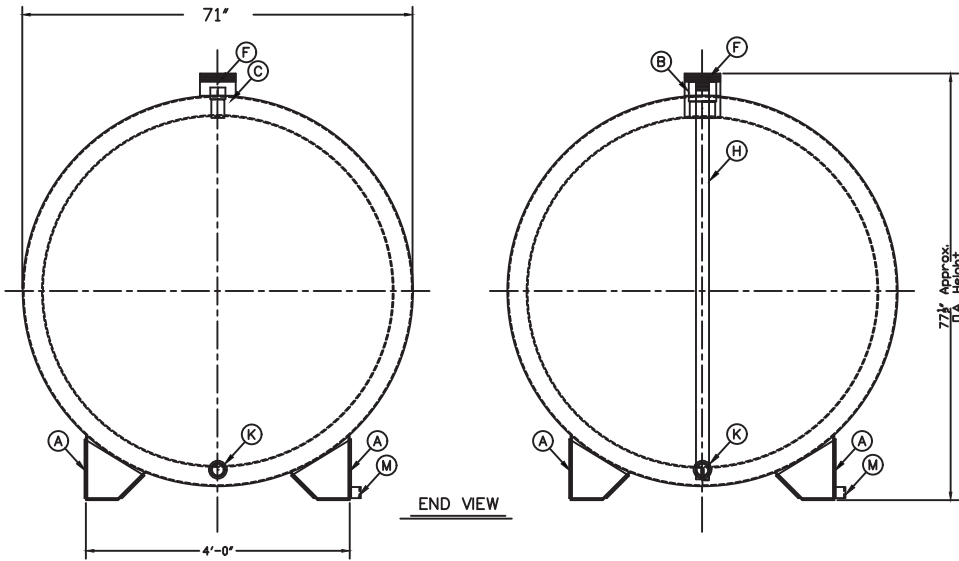


MATERIAL DESCRIPTION			
MODEL	KEY	QTY.	HORIZONTAL DW FIREGUARD SADDLE TANK
OUTER DIAMETER			5'-11"
OUTER LENGTH			15'-8"
CAPACITY			2,500 GAL. NOMINAL
INNER GAUGE			7ga.
OUTER GAUGE			7ga.
FIREGUARD CODE			UL 2085
SUPPORTS	A	2	7ga. Full Box Skids (w/ Ground Lug)
FILL OPENING	B	1	4" 150# Full Coupling w/ Repad
PUMP OPENING	C	1	2" 150# Full Coupling w/ Repad
GAUGE OPENING	D	1	2" 150# Full Coupling w/ Repad
VENT OPENING	E	1	2" 150# Full Coupling w/ Repad
E-VENT OPENING	F	1	6" NIPPLE w/ Repad (Inner E-vent)
E-VENT OPENING	G	1	6" NIPPLE w/ Repad (Outer E-vent)
MONITOR	H	1	2" Monitor Pipe Assembly
LIFT LUG	J	2	Small Lift Lug w/ Repad ( PHOENIX TYPE )
POUR OPENING	K	2	2" #150 WELD FLANGE w/PLUGS SEAL WELDED
REMOTE GAUGE	L	1	2" 150# Full Coupling w/ Repad
Ground Lug	M	2	1/4"x2"x2" Angle w/1/2"hole
STI LABELING			KIT FIRGUARD REG / DECAL KIT

TANK SHALL BE BUILT & LABELED PER UL 2085, STI FIREGUARD  
 UL FILE # MH21280



END VIEW



Surface Prep: Brush Blast  
 Paint: Polane White  
 Testing: Per STI Fireguard  
 Operating Pressure: Atmospheric  
 Estimated Dry Weight: 10,100lbs